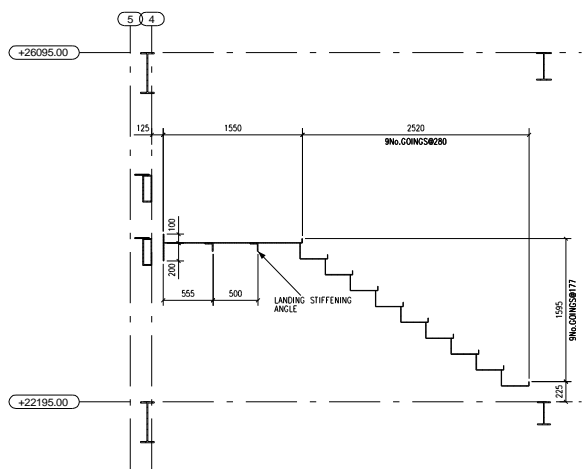
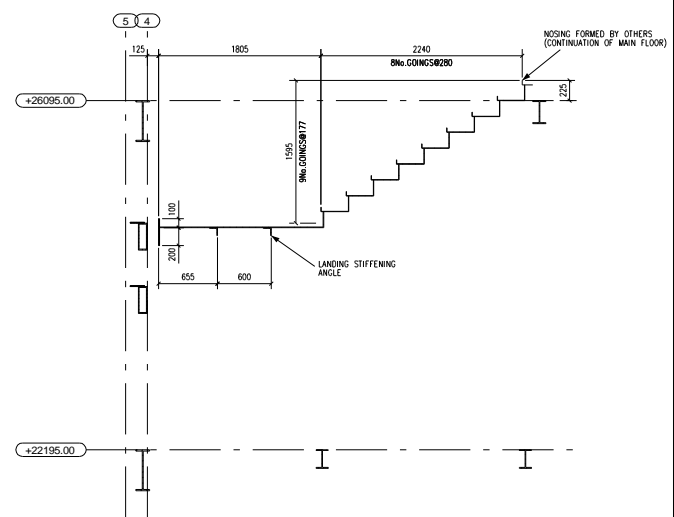


PLAN VIEW

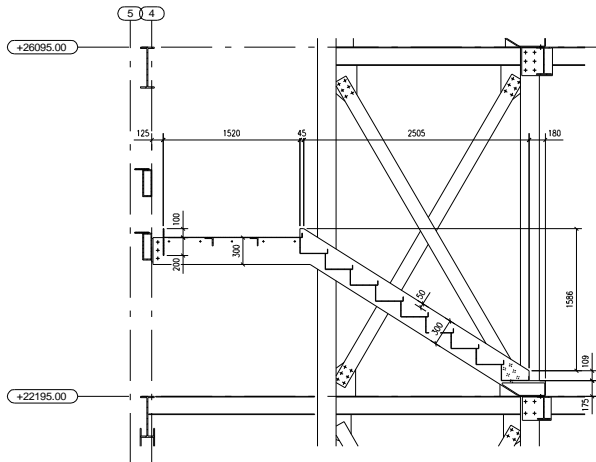
ALL STRINGERS FORMED FROM 10mm PLATE (SSS MATERIAL IF NOTICED EXCESSIVELY)
 STAIR TREADS FORMED FROM 4mm PRESSED METAL PLATE
 LANDINGS FORMED FROM 4mm PRESSED METAL PLATE &
 STIFFENED WITH 90x90x8/50A ANGLES
 ALL STAIR MATERIAL GRADE S275 U.N.O.



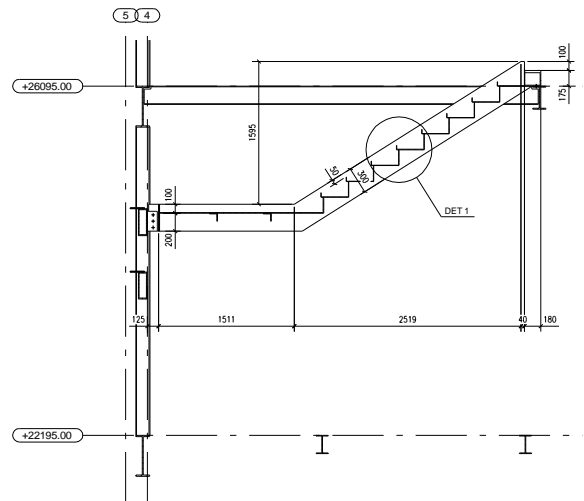
SECTION A - A



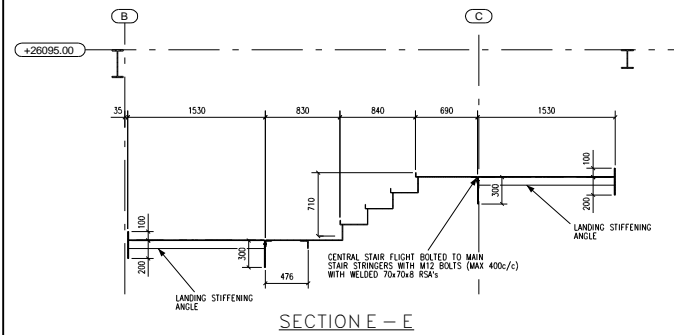
SECTION B - B



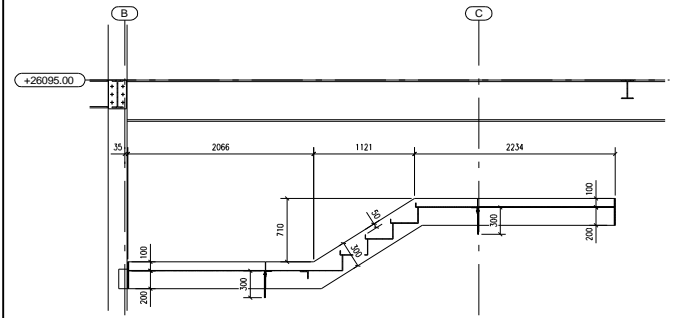
SECTION C - C



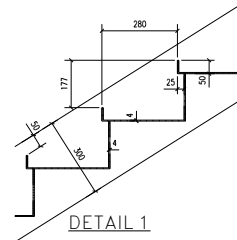
SECTION D - D



SECTION E - E



SECTION F - F



DETAIL 1

NOTE:
 STAIR DETAIL AS SHOWN ALSO REQUIRED
 FOR STAIRS FROM SECOND FLOOR
 TO THIRD FLOOR

REV. MARK	REVISION DESCRIPTION	REV. DATE
DRAWING TITLE		STAIR 2 - FIRST TO SECOND FLOOR PLAN
CONTRACT		MOSQUE STAIRS
MODELLED BY	D.N.	ISSUE DATE
CONTRACT NO	IN-C51-01	SCALE 1:10 1:30
DRAWING No	GA003	REVISION